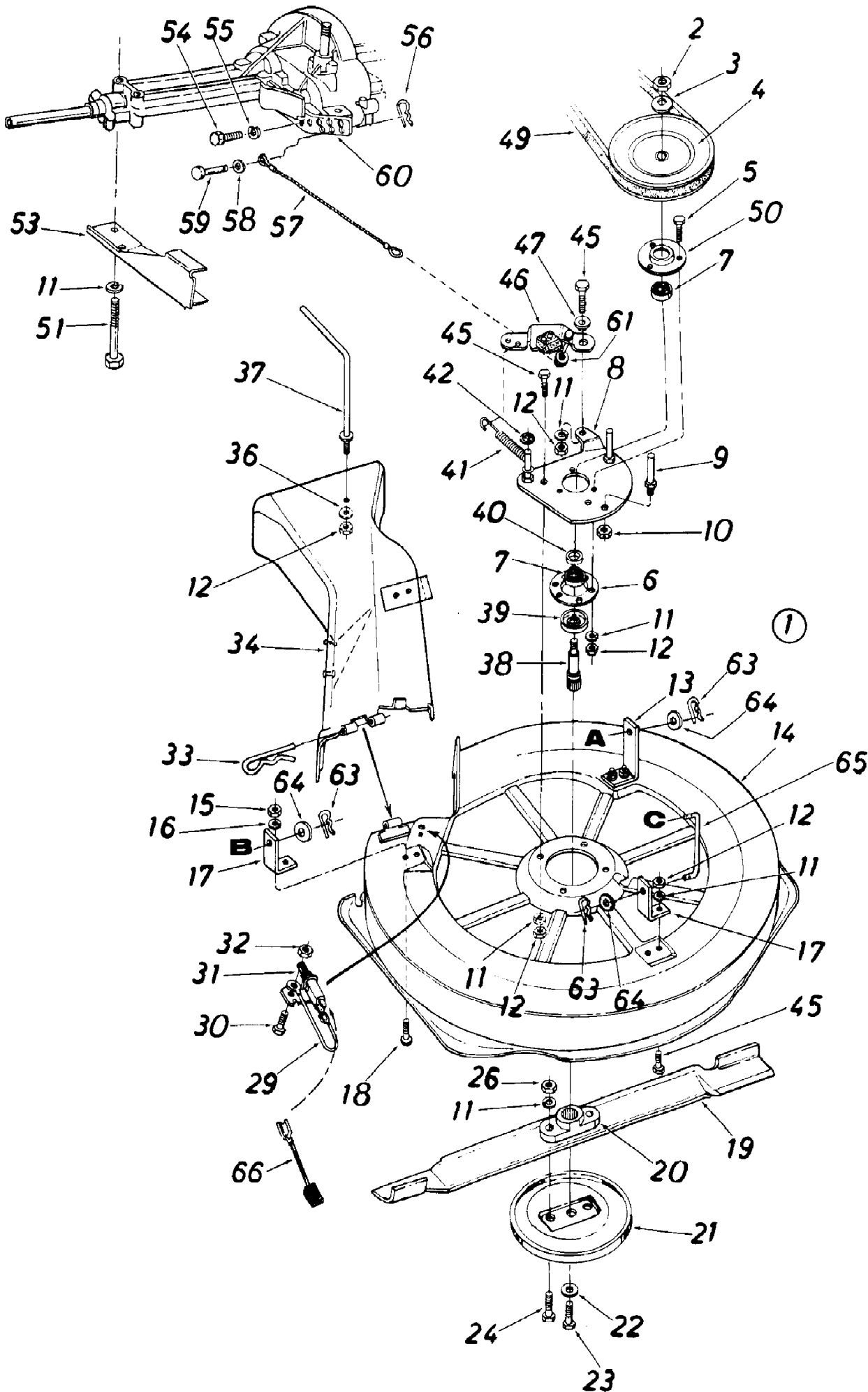


135-514-190 30" Rear Engine Rider R-86 (1985)
30" Rear Discharge Mowing Deck Assembly



135-514-190 30" Rear Engine Rider R-86 (1985)
30" Rear Discharge Mowing Deck Assembly

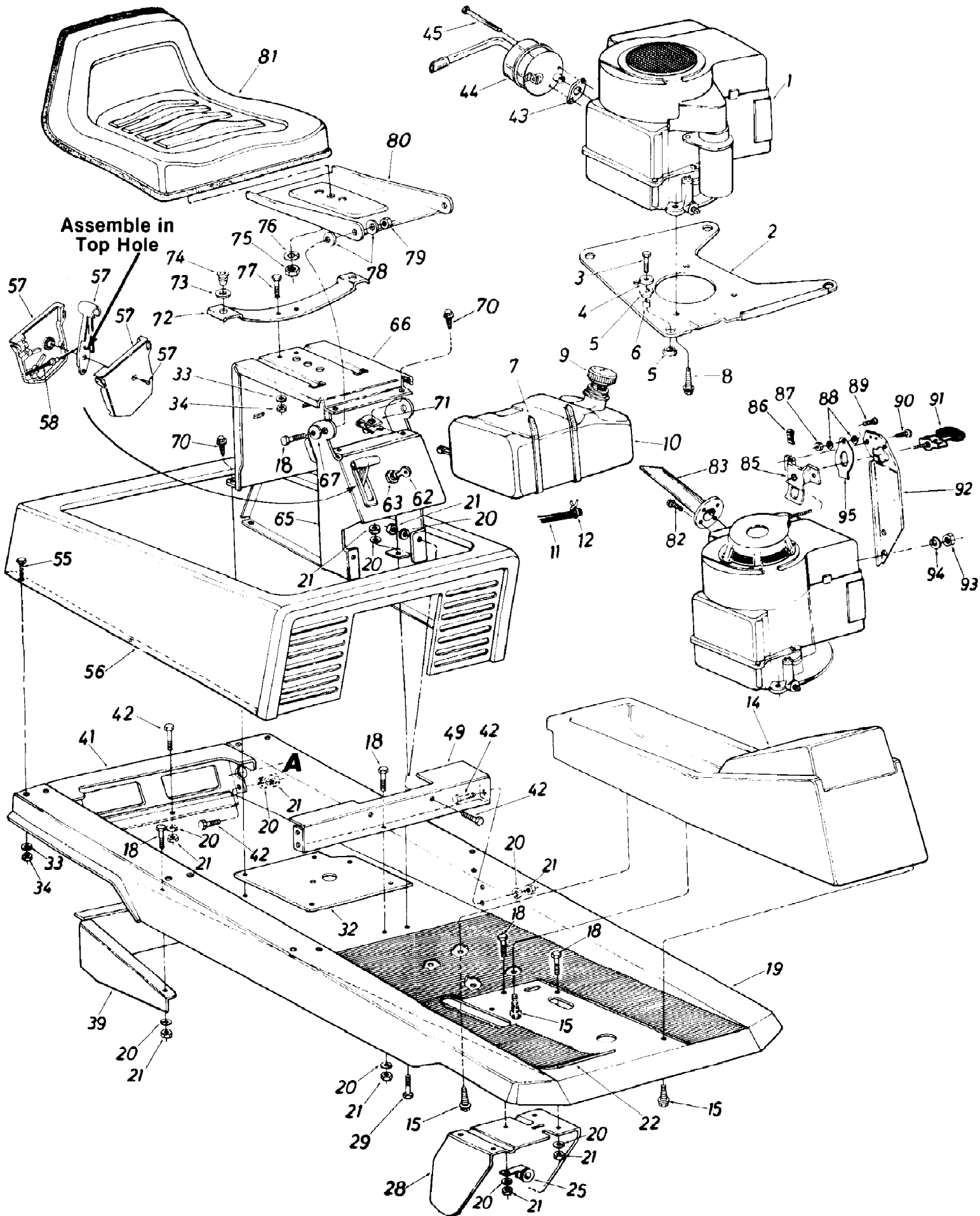
Page 2 of 19

Ref #	Part Number	Qty	S/P/F	Description
1	15900	1		30" R.D. Deck Ass'y. Comp. (Service Only)
2	712-0318	1	/P	Hex Jam Nut 5/8-18 Thd.
3	736-0317	1	/P	Bell-Wash. .630" I.D. x 1.25"
4	756-0430	1		5/8 V-Pulley .75" I.D. x .7"
5	710-0259	1	/P	Hex Sems 5/16-18 x .62" Lg.*
6	08253	1	S	Brg. Housing 1.85" I.D.
7	741-0919	1	S	Ball Brg.....787" I.D.
8	15919	1		Spindle Mtg. Plate
9	711-0640	1	S	Stud 3/8-16 x 2.75" Lg.
10	712-0342	1	/P	Hex Jam Nut 3/8-16 Thd.
11	736-0119	1	S	L-Wash. 5/16" I.D.*
12	712-0158	1	S	Hex L-Nut 5/16-18 Thd.
13	15916	1		Hanger Brkt. 2.92"
14	15906	1		30" R.D. Deck Ass'y.
15		1		UNKNOWN
16		1		UNKNOWN
17	15915	1		Hanger Brkt. 1.92"
18	710-0323	1	/P	Truss Mach. Scr. 5/16-18 x .75" Lg.*
19	742-0280	1		30" High Lift Blade
20	748-0300	1		Blade Adapter
21	07919	1	S	Scalp Plate (Optional)
22	736-0169	1	S	L-Wash. 3/8" I.D.*
23	710-0152	1	S	Hex Bolt 3/8-24 x 1.0*
24	710-0888	1	/P	Hex Bolt 5/16-24 x 1.0" Lg.
26	712-0123	1	/P	Hex Nut 5/16-24 Thd.*
29	725-0765	1		Electrical Wire
30	710-0289	1	S	Hex Bolt 1/4-20 x .50" Lg.*
31	725-0269	1	S	Safety Switch
32	712-0287	1	S	Hex Nut 1/4-20 Thd.*
33	714-0155	1	S	Internal Cotter Pin
34	731-0715	1	S	R.D. Chute Deflector
36	736-0271	1	S	L-Wash. .32" I.D. x .62" O.D.
37	747-0474	1		90ø Rod 5/16-18 Thd.
38	738-0577	1		Blade Spindle 5.20
39	13703	1		Bearing Shield
40	750-0456	1	S	Spacer
41	732-0157	1		Extension Spring
42	726-0201	1		Push Speed Nut
45	710-0118	1	S	Hex Bolt 5/16-18 x .75"*
46	16054	1	S	Blade Brake Brkt. Ass'y.
47	748-0234	1	/P	Shoulder Spacer .500" Dia.
49	754-0264	1	S	"V"-Belt 1/2" x 52" Lg.
50	15296	1	S	Open Brg. Housing
51	710-0176	1	/P	Hex Bolt 5/16-18 x 2.75"
53	15625	1		Lower Outside Belt Guard
54	710-0258	1	S	Hex Bolt 1/4-20 x .62" Lg.*
55	736-0329	1	S	L-Wash. 1/4" I.D.
56	714-0104	1	S	Int. Cot. Pin 5/16" Dia.
57	727-0290	1	S	Brake Cable 11.75" Lg.
58	736-0142	1	S	FI-Wash. .281" I.D. x .50"
59	711-0701	1	S	Clevis Pin 1/4" Dia.
60	15626	1	S	Lower Inside Belt Guard
61	726-0106	1		Pin 1/4" Rod

135-514-190 30" Rear Engine Rider R-86 (1985)
30" Rear Discharge Mowing Deck Assembly

Page 3 of 19

Ref #	Part Number	Qty	S/P/F	Description
63	714-0145	1	S	Int. Cotter Pin 1/2" Dia.
64	736-0160	1	S	Fl-Wash. .531" I.D. x .930"
65	747-0428	1		Deck Link 3.9" Lg.
66	725-1037	1		Wire Lead



135-514-190 30" Rear Engine Rider R-86 (1985)
Chassis Assembly

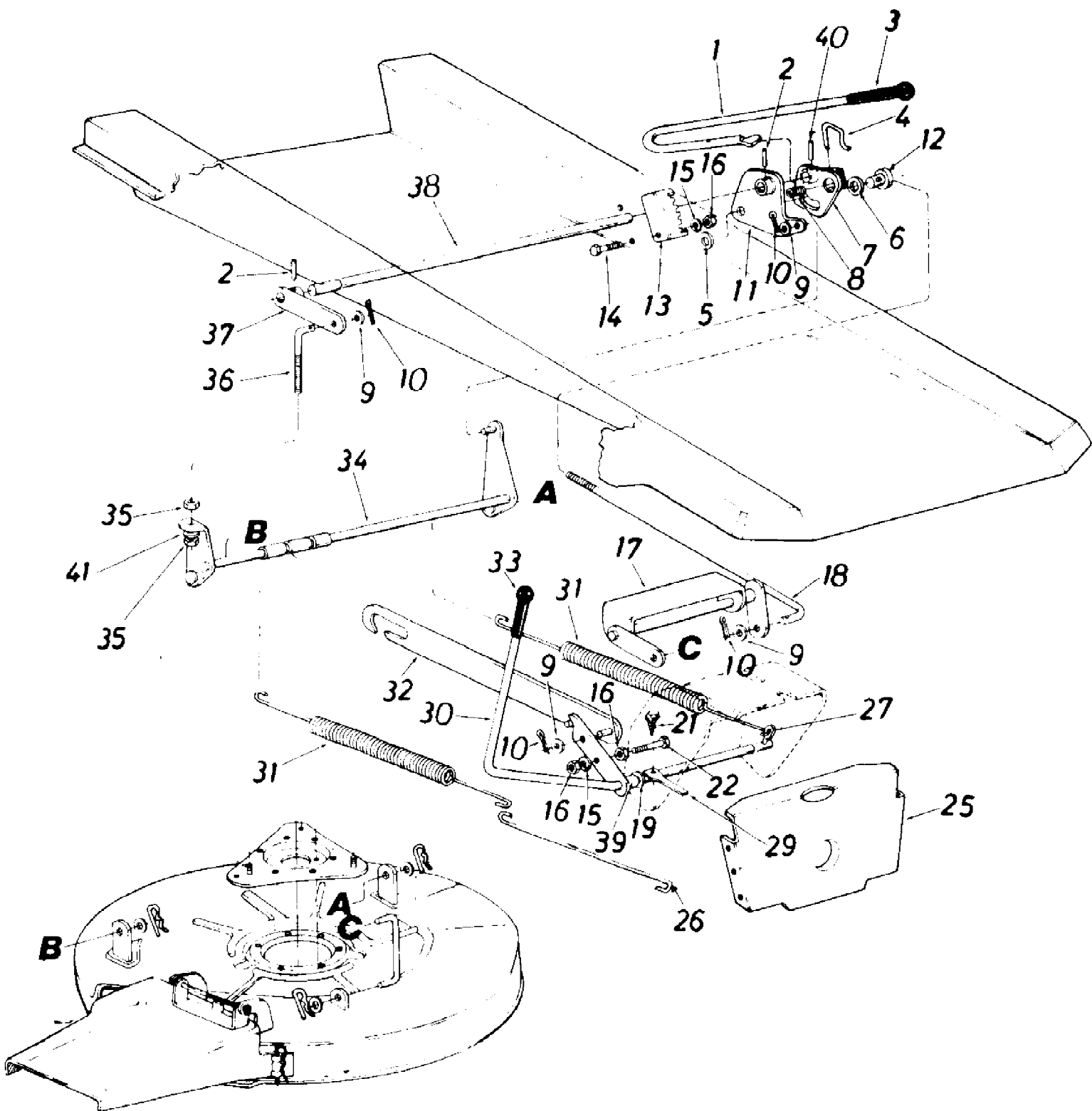
Page 5 of 19

Ref #	Part Number	Qty	S/P/F	Description
1		1		Engine
2	15572	1	S	Engine Mounting Plate
3	710-0158	1	S	Hex Bolt 5/16-24 x 1.25" Lg.
4	736-0231	1	S	FI-Wash. .330" I.D. x 1.125" O.D.
5	722-0153	1	S	Engine Mounting Grommet
6	750-0539	1	S	Spacer .315" I.D. x .50" O.D. x .520" Lg.
7	726-0153	1	S	Cable Tie
8	710-0502	1	S	Hex Wash Hd. Self-Tap Scr. 3/8-16 x 1.25" Lg.
9	723-0155	1		Gas Gauge
10	751-0368	1	S	Fuel Tank
11	751-0173	1	S	Gas Line
12	726-0207	1		Hose Clamp .406" Dia.
14	731-0712	1		Front Console
15	710-0906	1	S	Plastite Scr. 5/16" x 1.25" Lg.
18	710-0118	1	S	Hex Bolt 5/16-18 x .75" Lg.*
19	15978	1		Main Frame
20	736-0119	1	S	L-Wash. 5/16" I.D.*
21	712-0267	1	S	Hex Nut 5/16-18 Thd.*
22	735-0220	1		Floor Mat
25	726-0175	1	/P	Clamp
28	15562	1		Clutch-Brake Pedal Ass'y.
29	710-0759	1		Hex Bolt 5/16-18 x .62" Lg.*
32	15588	1		Mounting Brkt. Variable Speed Pulley
33	736-0329	1	S	L-Wash. 1/4" I.D.*
34	712-0287	1	S	Hex Nut 1/4-20 Thd.*
39	15552	1		Transaxle Support Ass'y.
41	15571	1		Rear Frame Panel
42	710-0621	1	S	Hex Bolt 5/16-18 x .50" Lg.*
43	721-0207	1	S	Exhaust Gasket (514)
44	751-0412	1	F	Muffler Ass'y. (514)
45	738-0635	1	S	Shld. Bolt (514)
49	15604	1		Seat Support & Frame Brkt.
55	710-0289	1	S	Hex Bolt 1/4-20 x .50" Lg.*
56	15975	1		Engine Cover Ass'y.
57	831-0692	1	S/F	Throttle Control Box Ass'y.
58	746-0503	1	S	Throttle Control Wire
	751-3054	1		90° Elbow
	735-0149	1	S	Bushing
62	725-0201	1	S	Ignition Key
63	725-0267	1	S	Ignition Switch (514)
	725-0464	1	S	Ignition Switch (511)
65	15897	1		Front Seat Bracket
66	15606	1		Rear Seat Bracket
67	736-0242	1	/P	Bell-Wash. .345" I.D. x .88" O.D.
70	710-0601	1	S	Hex Wash Hd. Scr. 5/16-18 x .75"
71	726-0211	1	S	Palnut Lug 5/16-18 Thd.
72	732-0431	1		Seat Spring
73	736-0160	1	S	FI-Wash. .531" I.D. x .930" O.D.
74	731-0555	1	S	Grommet
75	712-0206	1	S	Hex Nut 1/2-13 Thd.*
76	736-0921	1	S	L-Wash. 1/2" I.D.*

135-514-190 30" Rear Engine Rider R-86 (1985)
Chassis Assembly

Page 6 of 19

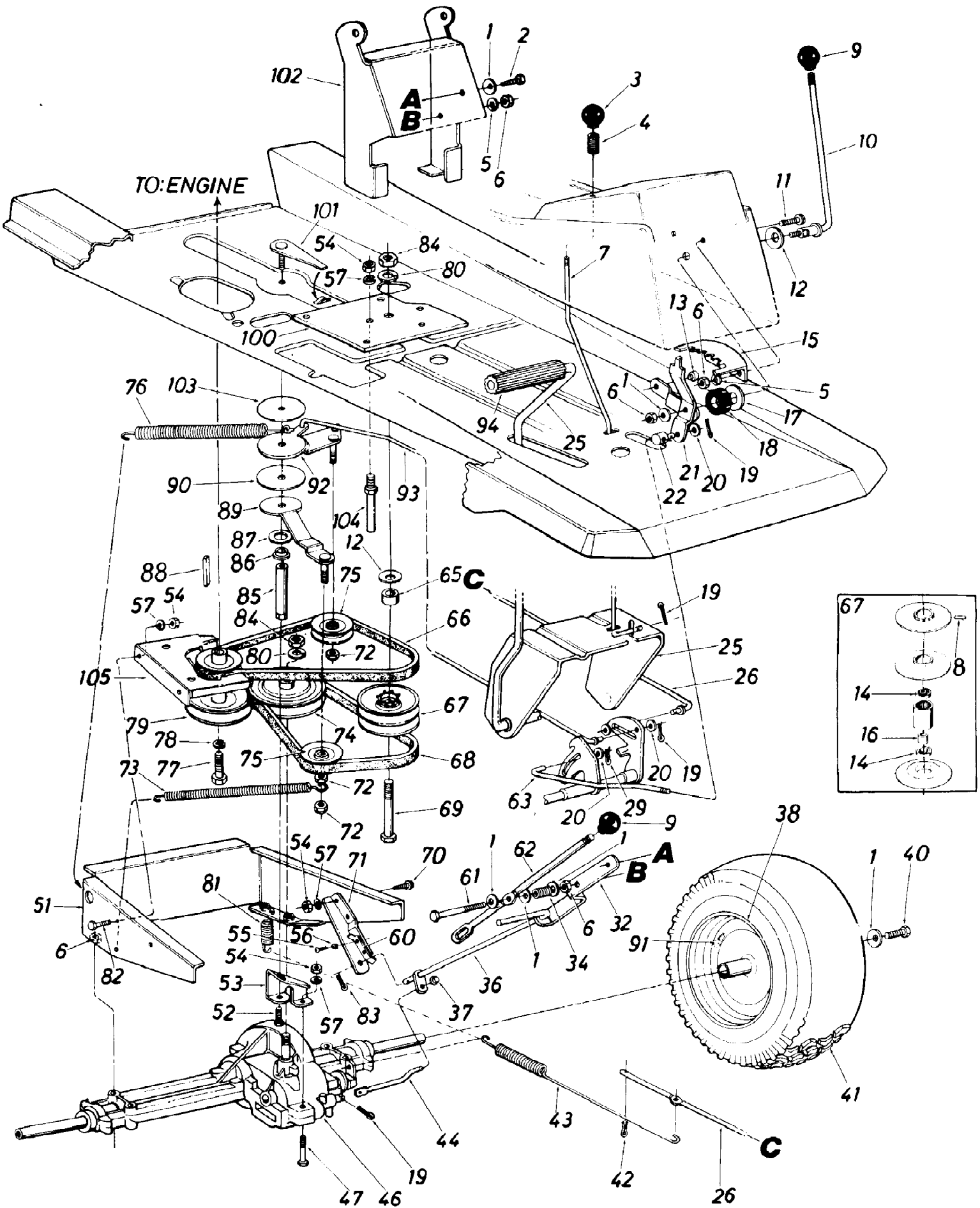
Ref #	Part Number	Qty	S/P/F	Description
77	710-0258	1	S	Hex Bolt 1/4-20 x .62" Lg.*
78	736-0242	1	/P	Bell-Wash. .345" I.D. x .88" O.D.
79	712-0158	1	S	Hex Cent. L-Nut 5/16-18 Thd.
80	15607	1	S	Seat Pivot Bracket
81	757-0264	1	/P	Seat Ass'y. Comp.
82	710-0894	1	S	Hex Wash. Hd. TT-Tap Scr. 8-32 x .50" Lg. (511)
83	751-0339	1		Exhaust Pipe Ass'y. (511)
85	11053	1		Switch Brkt. Ass'y. (511)
86	712-0147	1	/P	Speed Nut #10-24 U-Type (511)
87	712-0121	1	S	Hex Nut #10-24 Thd.* (511)
88	736-0338	1		Fiber Washer (511)
89	710-0425	1	/P	Truss Mach. Scr. #10-24 x .62" Lg.* (511)
90	710-0351	1	/P	Truss Mach. Scr. #10 x .50" Lg.* (511)
91	11263	1	F	Plastic Handle (Starter Rope)
92	15655	1		Rope Handle Bracket (511)
93	712-0267	1	S	Hex Nut 5/16-18 Thd.* (511)
94	736-0119	1	S	L-Wash. 5/16" I.D.* (511)
95	732-0257	1		Switch Spring (511)



135-514-190 30" Rear Engine Rider R-86 (1985)
Deck Lift Assembly

Page 8 of 19

Ref #	Part Number	Qty	S/P/F	Description
1	747-0418	1		Deck Lift Handle
2	715-0114	1	S	Spring Pin Spir. 1/4" Dia. x 1.50" Lg.
3	720-0143	1		Grip
4	714-0166	1		Cotter Pin (Special)
5	736-0162	1	/P	FI-Wash. 5/8" I.D. x 1.0" O.D. x .12
6	736-0187	1	/P	FI-Wash. 5/8" I.D. x 1.25" O.D. x .60
7	15576	1		Deck Lift Handle Brkt. Ass'y.
8	732-0430	1		Compression Spring .50" O.D. x 1.04
9	736-0300	1	S	FI-Wash. .385" I.D. x .87" O.D. x .06
10	714-0115	1	S	Cotter Pin 1/8" Dia. x 1.00"
11	15578	1		Deck Lift Brkt. Ass'y. L.H.
12	711-0749	1		Adj. Ferrule Deck Lift Handle
13	15581	1		Index Bracket
14	710-0118	1	S	Hex Bolt 5/16-18 x .75" Lg.*
15	736-0119	1	S	L-Wash. 5/16" I.D.*
16	712-0267	1	S	Hex Nut 5/16-18 Thd.*
17	15573	1	S	Deck Lift Ass'y. Front
18	747-0426	1		Deck Lift Connecting Rod
19	736-0160	1	S	FI-Wash. .531" I.D. x .930"
21	710-0599	1	/P	Hex Wash. Hd. Self-Tap Scr. 1/4-20 x .50" Lg.
22	710-0805	1	/P	Hex Bolt 5/16-18 x 1.50" Lg.*
25	15613	1		Pivot Bar Bracket
26	732-0451	1	S	Spring Hook
27	711-0753	1		Spec. Clevis Pin .250" Dia.
29	732-0435	1		Switch Actuator
30	15568	1	S	Blade Engagement Lever Ass'y.
31	732-0440	1		Extension Spring .99" O.D. x 14.25" Lg.
32	15644	1	S	Deck Drive Control Brkt. Ass'y.
33	720-0143	1		Grip
34	15600	1		Deck Link Ass'y. Rear
35	712-0798	1	/P	Hex Nut 3/8-16 Thd.
36	710-0866	1		Deck Adj. Scr. 3/8-16 Thd.
37	15609	1		Deck Lift Brkt. Ass'y. R.H.
38	738-0550	1		Rear Height Adj. Shaft
39	750-0515	1		Sleeve .511" I.D. x .70" O.D. x .37" Lg.
40	715-0134	1	S	Spring Pin Spir. 3/16" Dia. x 1.50" Lg.
41	736-0169	1	S	L-Wash. 3/8" I.D.*



135-514-190 30" Rear Engine Rider R-86 (1985)
Drive Assembly

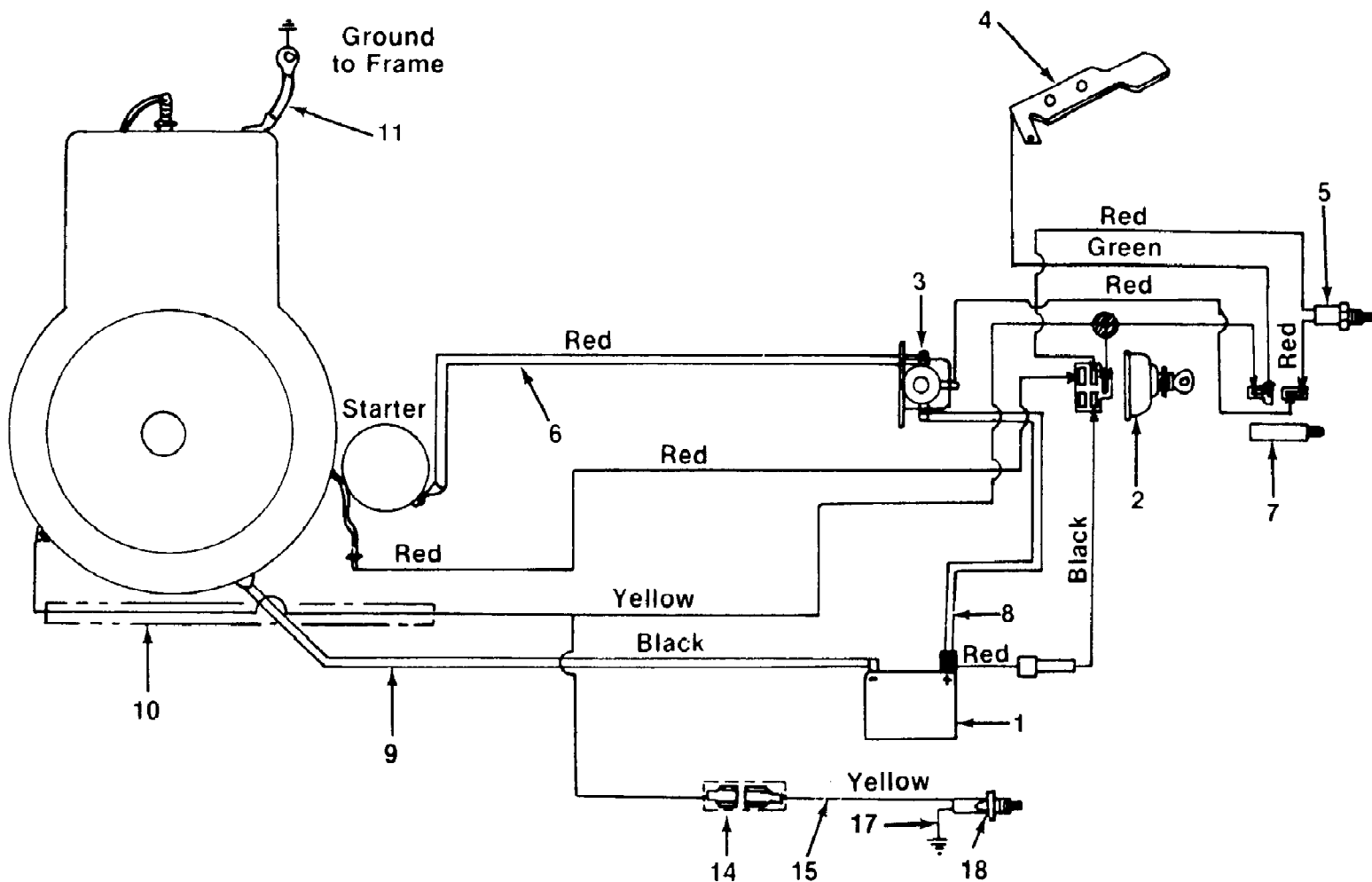
Page 10 of 19

Ref #	Part Number	Qty	S/P/F	Description
1	736-0242	1	/P	Bell-Wash..345" I.D. x .88" O.D.
2	710-0776	1	S	Hex Wash. Hd. AB-Tap Scr. 1/4 x.62" Lg.
3	720-0187	1		Ball Knob
4	732-0437	1		Compression Spring
5	736-0119	1	S	L-Wash. 5/16" I.D.*
6	712-0267	1	S	Hex Nut 5/16-18 Thd.*
7	747-0450	1		Brake Locking Rod
8	715-0124	1		Spring Pin Spir. 5/32" Dia. x.62" Lg.
9	720-0165	1	S	Gear Shift Knob
10	747-0424	1		Speed Control Lever
11	710-0323	1	/P	Truss Mach. Scr. 5/16-18 x .75" Lg.*
12	736-0253	1	S	Bell-Wash. .505" I.D. x 1.00"
13	731-0493	1		Cap
14	741-0139	1		Ball Brg. .50" I.D. x 1.38"
15	15581	1		Index Bracket
16	750-0516	1		Spacer.50" I.D. x .69" O.D. x 1.38" Lg.
17	736-0154	1		FI-Wash. 1/2" I.D. x 1.50"
18	735-0219	1		Rubber Wash. .50" I.D. x 1.25" O.D.
19	714-0115	1	S	Cotter Pin 1/8 x 1.00" Lg.*
20	736-0275	1	S	FI-Wash. .344" I.D. x .688"
21	15582	1		Speed Control Lever Brkt. Ass'y.
22	711-0677	1	S	Ferrule Engagement
25	15562	1		Clutch-Brake Pedal Ass'y.
26	747-0431	1		Brake Rod
29	714-0104	1	S	Intern. Cotter Pin 5/16" Dia.
32	15659	1		Shift Lever Brkt.
34	732-0369	1	S	Spring
36	15637	1		Shift Lever Ass'y.
37	726-0106	1	S	Cap Speed Nut 1/4" Rod
38		1		Rear Wheel Rim Only
	734-0594	1	S	Rim Only 16 x 6.50 (514)
	734-0517	1		Rim Only 13 x 5.0 (511)
40	710-0275	1		Hex L-Bolt 5/16-24 x .75" Lg.
41		1		Rear Wheel Ass'y. Comp.
	734-0591	1	/P	Wheel Ass'y. Comp. 16 x 6.50 (514)
	734-0523	1		Wheel Ass'y. Comp. 13 x 5.0 (511)
42	714-0470	1	S	Cot-Pin 1/8" Dia. x 1.25
43	732-0389	1		Ext. Spring .75" O.D. x 17.0" Lg.
44	747-0421	1		Shift Rod
46	717-0775	1	S	Transaxle Comp.
47	710-0136	1	/P	Hex Bolt 1/4-20 x 1.75" Lg.*
51	15552	1		Transaxle Support Ass'y.
52	710-0180	1	/P	Hex Bolt 3/8-24 x .75" Lg.*
53	15564	1	S	Torque Rod Bracket
54	712-0287	1	S	Hex Nut 1/4-20 Thd.*
55	710-0789	1		C-Sink AB S-Tap Scr. #8 x .50"
56	726-0206	1		Push-In Nut #10
57	736-0329	1	S	L-Wash. 1/4" I.D.*
60	732-0420	1		Spring Switch
61	710-0395	1	/P	Hex Bolt 5/16-18 x 2.25" Lg.*
62	747-0430	1		Upper Shift Lever
63	747-0451	1		Speed Control Rod
65	750-0333			Spacer.50" I.D. x .69" O.D. x .775

135-514-190 30" Rear Engine Rider R-86 (1985)
Drive Assembly

Page 11 of 19

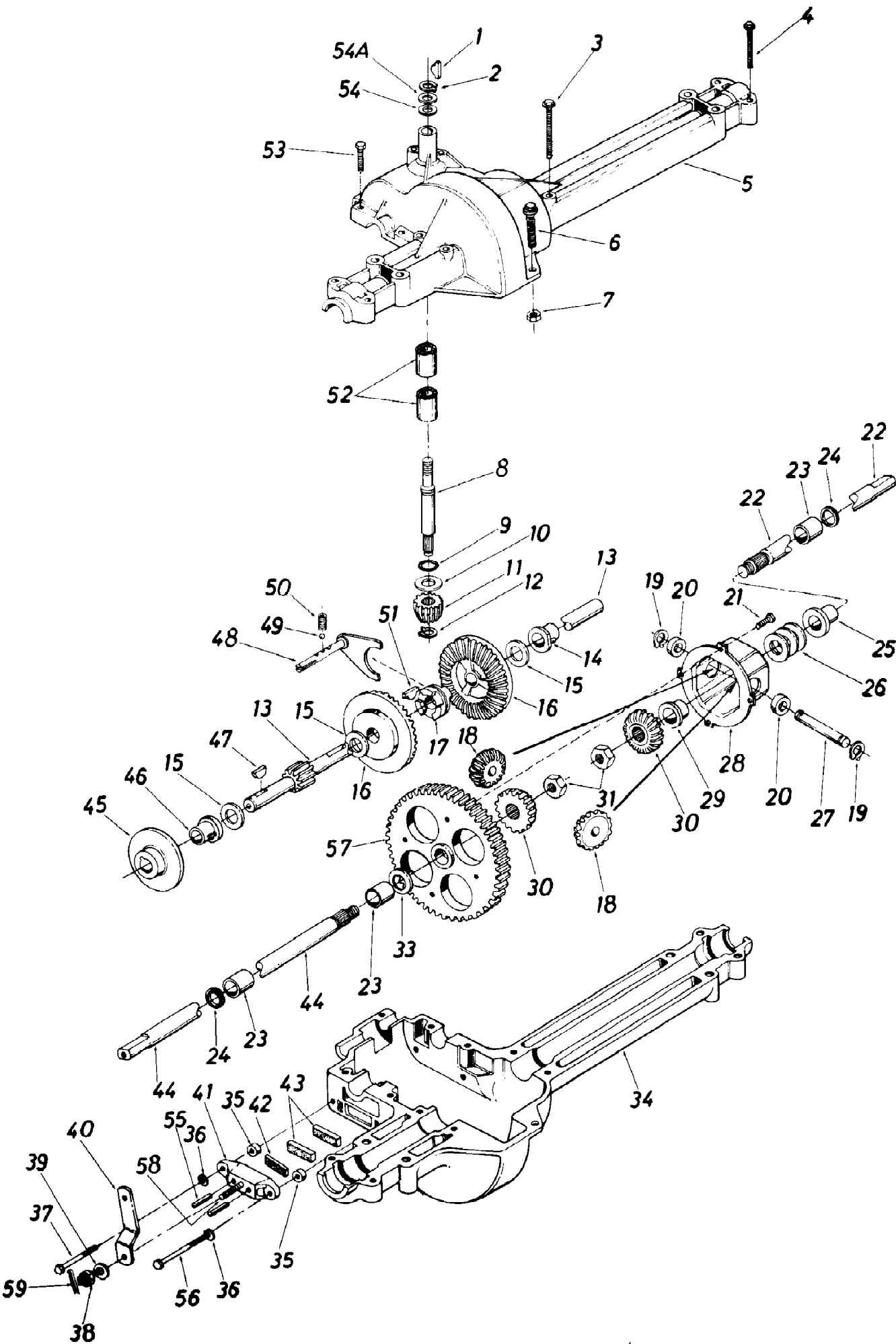
Ref #	Part Number	Qty	S/P/F	Description
66	754-0241	1	S	"V"-Belt 5/8" L x 35" Lg.
67	717-0473	1		Variable Speed Pulley Ass'y.
68	754-0240	1	S	"V"-Belt 5/8" L x 38" Lg.
69	710-0786	1	/P	Hex Bolt 1/2-13 x 4.0" Lg.*
70	710-0258	1	S	Hex Bolt 1/4-20 x .62" Lg.*
71	15624	1		Shift Lever Support
72	712-0116	1	S	Hex Ins. L-Nut 3/8-24 Thd.
73	732-0308	1	S	Extension Spring
74	756-0390	1		5/8" V-Pulley 6.0" O.D.
75	756-0116	1	S	"V"-Belt Idler 3.06" O.D.
76	732-0436	1	S	Extension Spring .99" O.D. x 8.0" Lg.
77	710-0314	1	/P	Hex Bolt 7/16-20 x 1.0" Lg.*
78	736-0171	1	S	L-Wash. 7/16" I.D.*
79	756-0391	1		Engine Pulley
80	736-0921	1	S	L-Wash. 1/2" I.D.*
81	732-0303	1	S	Brake Return Ext. Spring
82	710-0352	1	/P	Hex Bolt 1/4-20 x .75" Lg.*
83	714-0111	1	S	Cotter Pin 3/32" Dia. x .75" Lg.
84	712-0206	1	S	Hex Nut 1/2-13 Thd.*
85	711-0676	1		Torque Rod 3.835" Lg.
86	748-0294	1		Flange Bearing .378
87	736-0187	1	/P	Fl-Wash. .640" I.D. x 1.24"
88	714-0114	1	S	Sq. Key 1/4" x 2.00" Lg.*
89	15569	1	S	Idler Bracket Ass'y.
90	736-0283	1		Thrust Wash. .635" I.D. x 3.50" O.D.
91	734-0255	1	S	Air Valve
92	15585	1		Idler Bracket Ass'y.
93	747-0422	1		Clutch Rod
94	735-0196	1	S	Foot Pad
100	15588	1		Mounting Bracket Variable Speed Pulley
101	15642	1		Weld Scr. Brkt. Ass'y.
102	15605	1		Front Seat Bracket
103	736-0284	1	S	Thrust Wash. .385" I.D. x 3.50" O.D.
104	711-0747	1	S	Belt Guard Pin 1/4" Dia. x 1.68" Lg.
105	15623	1	S	Upper Engine Belt Guard
	734-0542	1		Hub Cap (Not Shown)



135-514-190 30" Rear Engine Rider R-86 (1985)
Electrical System (Electric Start)

Page 13 of 19

Ref #	Part Number	Qty	S/P/F	Description
1	725-0514	1	S	Battery
2	725-0267	1	S	Key Switch
3	725-0771	1	S	Solenoid
4	732-0420	1		Spring Switch (Reverse)
5	725-0268	1	S	Safety Switch
6	725-0424	1	S	Electric Wire
7	725-0819	1	S	Safety Switch
8	725-0927	1		Electric Wire 13.5" Lg.
9	725-0975	1		Ground Wire
10	731-0652	1		Convolute Conduit 24" Lg.
11	725-0977	1	S	Ground Wire
	725-0269	1	S	Safety Switch (Deck)
	725-0765	1		Ground Wire
14	725-0717	1		Tab Receptacle
15	725-1037	1		Wire Lead 12" Lg.
	725-1001	1		Safety Switch
17	725-0765	1		Ground Wire
18	725-0269	1	S	Safety Switch
	725-0861	1		Wire Harness



135-514-190 30" Rear Engine Rider R-86 (1985)
Single Speed Transaxle

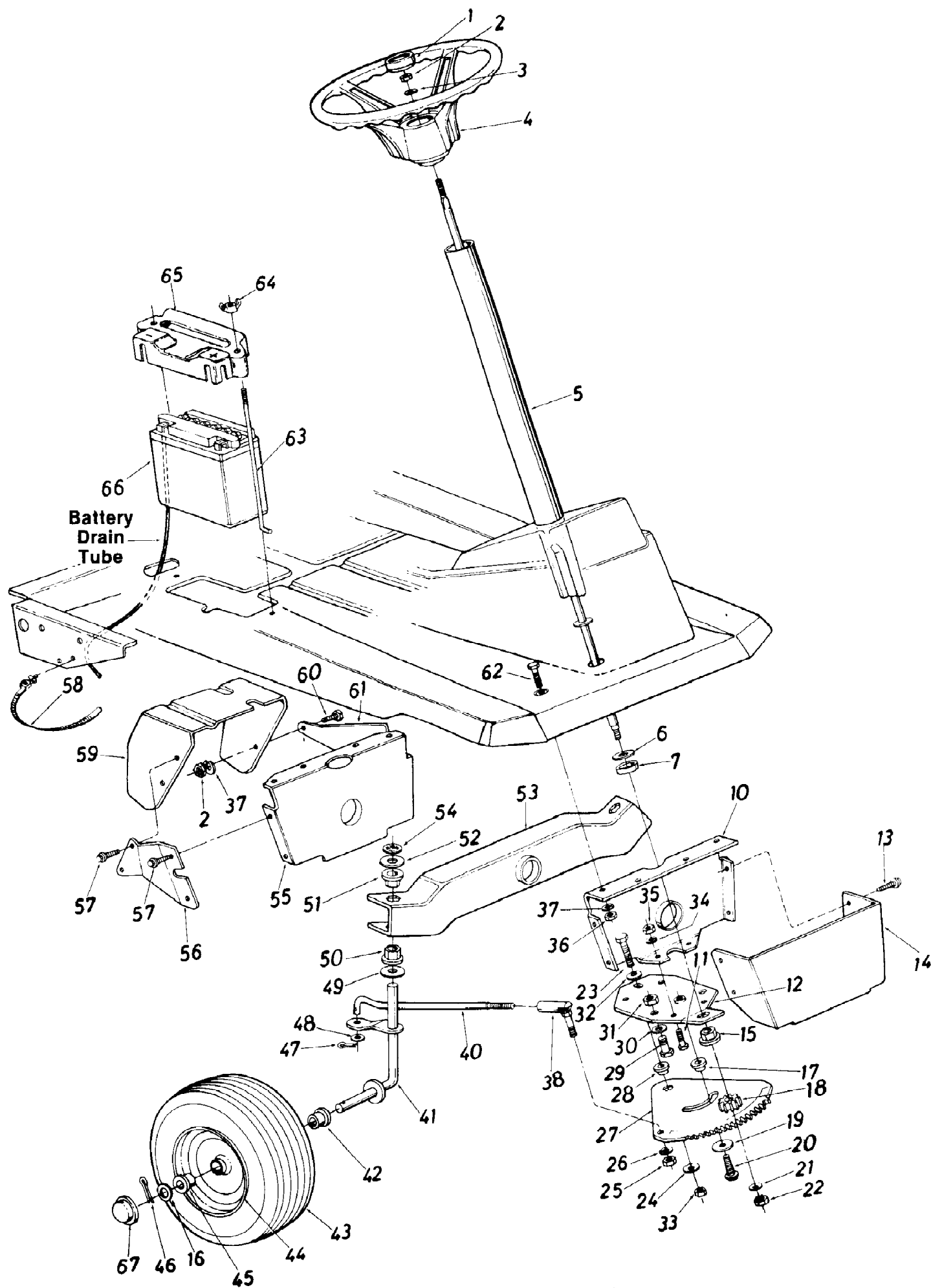
Page 15 of 19

Ref #	Part Number	Qty	S/P/F	Description
1	714-0129	1	S	#4 Hi-Pro Key 3/32 x 5/8" Dia.
2	716-0115	1	S	Snap Ring .625" Shaft
3	710-0854	1	S	Hex Bolt 1/4-20 x 1.75" Lg.*
4	710-0809	1		Hex Bolt 1/4-20 x 1.25" Lg.*
5	717-0764	1	S	Upper Housing
6	710-0889	1		Hex FI-Bolt 1/4-20 x .88" Lg.*
7	712-0287	1	S	Hex Nut 1/4-20 Thd.*
8	717-0634	1	S	Input Shaft
9	721-0178	1	S	Square Seal 5/8" I.D.
10	736-0335	1	S	Thrust Washer 5/8" I.D. x 1.25" O.D.
11	717-0633	1	S	Pinion Input 14T
12	716-0108	1	S	Retaining Ring 7/16" Ext.
13	717-0768	1		Drive Shaft
14	741-0336	1	S	Flange Brg. 5/8" I.D. x 3/4" Lg.*
15		1		FI-Wash.
	736-0349	1	S	FI-Wash. 5/8" I.D. x 1.0" O.D. x .020" Thk.
	736-0336	1	S	FI-Wash. 5/8" I.D. x 1.0" O.D. x .030" Thk.
	736-0337	1	S	FI-Wash. 5/8" I.D. x 1.0" O.D. x .040" Thk.
16	717-0757	1		Bevel Gear 42T
17	717-0667	1	S	Clutch Collar
18	717-0674	1	S	Miter Gear 1 5T
19	716-0142	1	S	Snap Ring
20	717-0690	1	S	Thrust Bearing 1/2" I.D. x 1.0" O.D.
21	710-0862	1	S	Pan Head Scr. 1/4-20 x .50" Lg. w/ Patch
22	753-0394	1	S	Axle R.H. Kit
23	741-0340	1	S	Sleeve Bearing 3/4" I.D. x 1.0" L5
24	721-0179	1	S	Oil Seal 3/4" I.D.
25	741-0339	1	S	Flange Bearing 3/4" I.D. x 15/16" Lg.
26	736-0188	1	/P	FI-Wash. .760" I.D. x 1.49" O.D.
27	717-0673	1	S	Cross Shaft
28	717-0777	1	S	Differential Housing Ass'y.
29		1		Part of Ref. 28
30	717-0687	1		Miter Gear
31	716-0144	1		Retaining Ring
33	736-0188	1	/P	FI-Wash. .760" I.D. x 1.49" O.D.
34	717-0761	1	S	Lower Housing
35	750-0555	1		Spacer .53" O.D. x 3/8" Lg.
36	736-0329	1	S	L-Wash. 1/4" I.D.
37	710-0886	1	S	Hex Bolt 1/4-20 x 1.50" Lg. (Grade 5)
38	712-0335	1	S	Castle Nut 5/16-24 Thd.
39	736-0159	1	S	FI-Wash. .344" I.D. x .875" O.D.
40	717-0772	1	S	Actuating Arm
41	717-0679	1		Brake Yoke
42	717-0682	1	S	Puck Plate
43	717-0678	1	S	Brake Puck
44	753-0395	1	S	Axle L.H. Kit
45	717-0677	1	/P	Brake Disc
46	741-0337	1	S	Flange Bearing 5/8" I.D. x 15/16" Lg.
47	714-0161	1	S	Woodruff Key 3/16 x 5/8 HT
48	717-0754	1	S	Shift Fork Ass'y.
49	741-0862	1	/P	Ball Detent.250" Dia.
50	732-0863	1	S	Spring Detent
51	714-0169			Woodruff Key 3/16 x 3/4" Dia. HT

135-514-190 30" Rear Engine Rider R-86 (1985)
Single Speed Transaxle

Page 16 of 19

Ref #	Part Number	Qty	S/P/F	Description
52	741-0335	1	S	Needle Brg. 5/8" I.D. x 1/2" Lg.
53	710-0855	1	S	Hex Bolt 1/4-20 x 1.00" Lg.
54	736-0336	1	S	Fl-Wash. 5/8" I.D. x .030
54A	736-0337	1	S	Fl-Wash. 5/8" I.D. x .040
55	741-0343	1	S	Actuating Pin 5/16" Dia.
56	710-0886	1	S	Hex Bolt 1/4-20 x 1.50" Lg. (Grade 5)
57	717-0767	1	S	Differential Gear 72T Ass'y. w/ Bearing
58	717-0681	1	S	Sq. Hd. Bolt 5/16-24 Thd.
59	1544-013	1	S	Cotter Pin 3/32" Dia. x .50" Lg.
	737-0148	1	S	Grease Shell (10 oz.)



135-514-190 30" Rear Engine Rider R-86 (1985)
Steering Assembly

Page 18 of 19

Ref #	Part Number	Qty	S/P/F	Description
1	731-0220	1	S	Steering Wheel Cap
2	712-0267	1	S	Hex Nut 5/16-18 Thd.*
3	736-0242	1	/P	Bell-Wash. .345" I.D. x .88" O.D.
4	731-0219	1	/P	Steering Wheel Ass'y.
5	16042	1		Steering Shaft Ass'y.
6	736-0187	1	/P	FI Wash. .62" I.D. x 1.50" O.D.
7	750-0532	1	S	Spacer (Plastic)
10	15613	1		Pivot Bar Bracket
11	710-0118	1	S	Hex Bolt 5/16-18 x .75" Lg.*
12	15614	1		Steering Gear Support Brkt.
13	710-0776	1	S	Hex Wash. Hd. AB-Tap Scr. 1/4 x.62" Lg.
14	15608	1		Steering Gear Cover
15	741-0225	1	S	Hex Flange Bearing
16	736-0285	1	/P	FI-Wash. .64" I.D. x 1.62 O.D.
17	738-0541	1	S	Shoulder Spacer .622 Dia. x .21 8
18	748-0290	1	S	Steering Pinion Gear
19	736-0320	1	/P	FI-Wash. .385" I.D. x 1.38" O.D.
20	710-0502	1	S	Hex Wash. Hd. Self-Tap Scr. 3/8-16 x 1.25" Lg.
21	736-0242	1	/P	Bell-Wash. .345" I.D. x .88" O.D.
22	712-0123	1	/P	Hex Nut 5/16-24 Thd.*
23	710-0191	1	/P	Hex Bolt 3/8-24 x 1.25" Lg. (Grade 5)
24	736-0320	1	/P	FI-Wash. .385" I.D. x 1.38" O.D.
25	712-0241	1	/P	Hex Nut 3/8-24 Thd.*
26	736-0169	1	S	L-Wash. 3/8" I.D.*
27	717-0472	1	S	Steering Gear Segment
28	738-0541	1	S	Shoulder Spacer .622" Dia. x .218
29	710-0689	1	/P	Hex Bolt (Nylon) 1/2-13 x .75" Lg.
30	736-0160	1	S	FI-Wash. .530" I.D. x .930" O.D.
31	712-0206	1	S	Hex Nut 1/2-13 Thd.*
32	736-0105	1	/P	Bell-Wash. .385" I.D. x .88" O.D.
33	712-0241	1	/P	Hex Nut 3/8-24 Thd.*
34	736-0119	1	S	L-Wash. 5/16" I.D.*
35	712-0267	1	S	Hex Nut 5/16-18 Thd.*
36	712-0267	1	S	Hex Nut 5/16-18 Thd.*
37	736-0119	1	S	L-Wash. 5/16" I.D.*
38	723-0156	1	S	Ball Joint Ass'y. 3/8-24 Thd.
40	747-0417	1	S	Steering Tie Rod
41	15616	1	S	Front Axle Ass'y. R.H.
	15617	1	S	Front Axle Ass'y. L.H. (Not Shown)
42	741-0313	1	S	Flange Bearing .632" I.D.
43		1		Front Wheel Ass'y. Comp.
44		1		Front Wheel Rim Only
45	741-0313	1	S	Flange Bearing .632" I.D.
46	714-0470	1	S	Cotter Pin 1/8" Dia. x 1.25" Lg.*
47	714-0115	1	S	Cotter Pin 1/8" Dia. x 1.00" Lg.*
48	736-0300	1	S	FI-Wash. .385" I.D. x .87" O.D.
49	736-0156	1	/P	FI-Wash. .635" I.D. x 1.12" O.D.
50	741-0225	1	S	Hex Flange Bearing
51	741-0225	1	S	Hex Flange Bearing
52	736-0156	1	/P	FI-Wash. .635" I.D. x 1.12" O.D.
53	15610	1	S	Pivot Bar Ass'y.

135-514-190 30" Rear Engine Rider R-86 (1985)
Steering Assembly

Page 19 of 19

Ref #	Part Number	Qty	S/P/F	Description
54	726-0159	1	S	Speed Nut 5/8" I.D.
55	15613	1		Pivot Bar Bracket
56	15694	1		Bracket Reinforcement R. H .
57	710-0776	1	S	Hex Wash. Hd. AB-Tap Scr. 1/4 x.62" Lg.
58	726-0154	1	S	Cable Tie (514)
59	15562	1		Clutch-Brake Pedal Ass'y.
60	710-0118	1	S	Hex Bolt 5/16-18 x .75" Lg.*
61	15699	1		Bracket Reinforcement L.H.
62	710-0118	1	S	Hex Bolt 5/16-18 x .75" Lg.*
63	711-0222	1	S	Battery Hold Down Rod (514)
64	712-0113	1	S	Wing Nut Solid 1/4-20 Thd. (514)
65	731-0708	1		Battery Cover (514)
66	725-0514	1	S	12V Battery (514)
67	731-1219	1	/P	Hub Cap